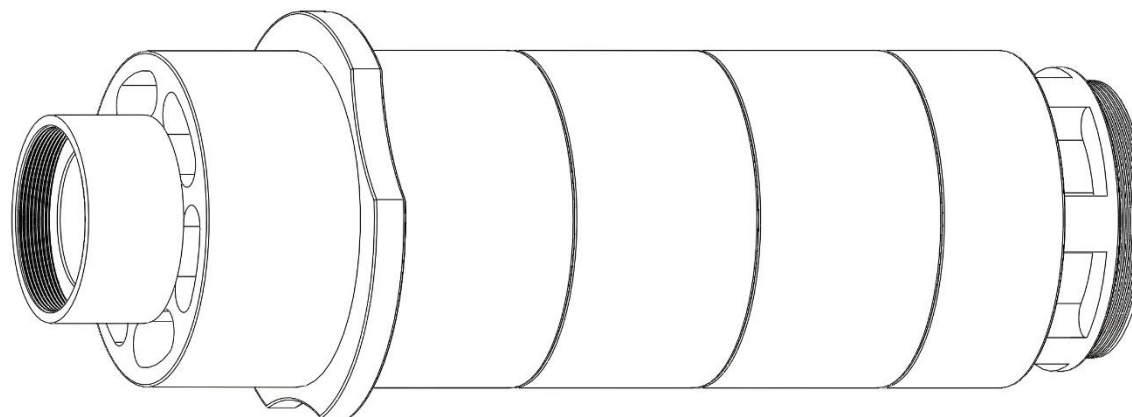
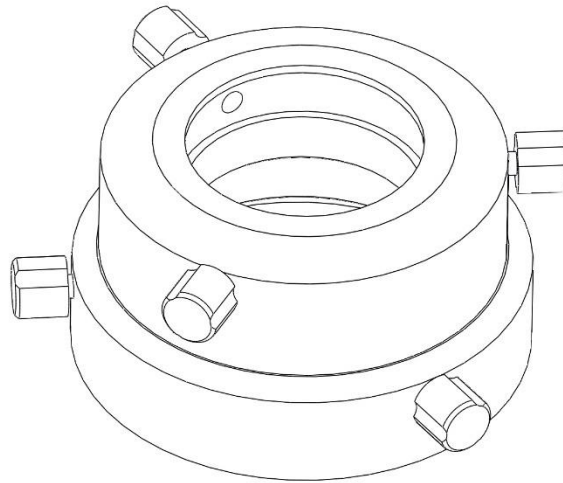


SOLEYE 300 ACCESSORIES specifications



Self cooling camera adapter, corrector and barlow

Magnification factor	2,7 - 6,25
Build	Double-walled aluminium case with 5 sections
Connection (to the telescope)	2"
Connection (to the camera)	M42
Lens	double Gerd Düring ED coma correcting barlow
Transmission	99 % transmission up to 400 nm
Corrected field of view diameter	26-14 mm
What pixel sizes it is compatible with	2-9 μm

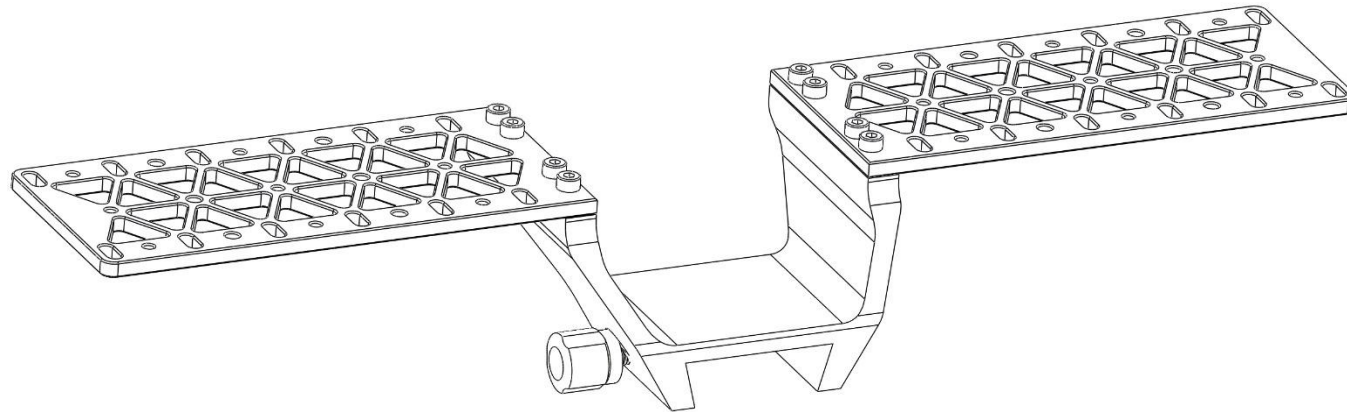


Focuser to 2" compression ring

Connection (to the telescope)	M56
Connector (other end)	2"
Optical length	10 mm
Compatibility	optical length is optimised for self cooling camera adapter
Clamp	with 3 clamping screws
Colour	silver

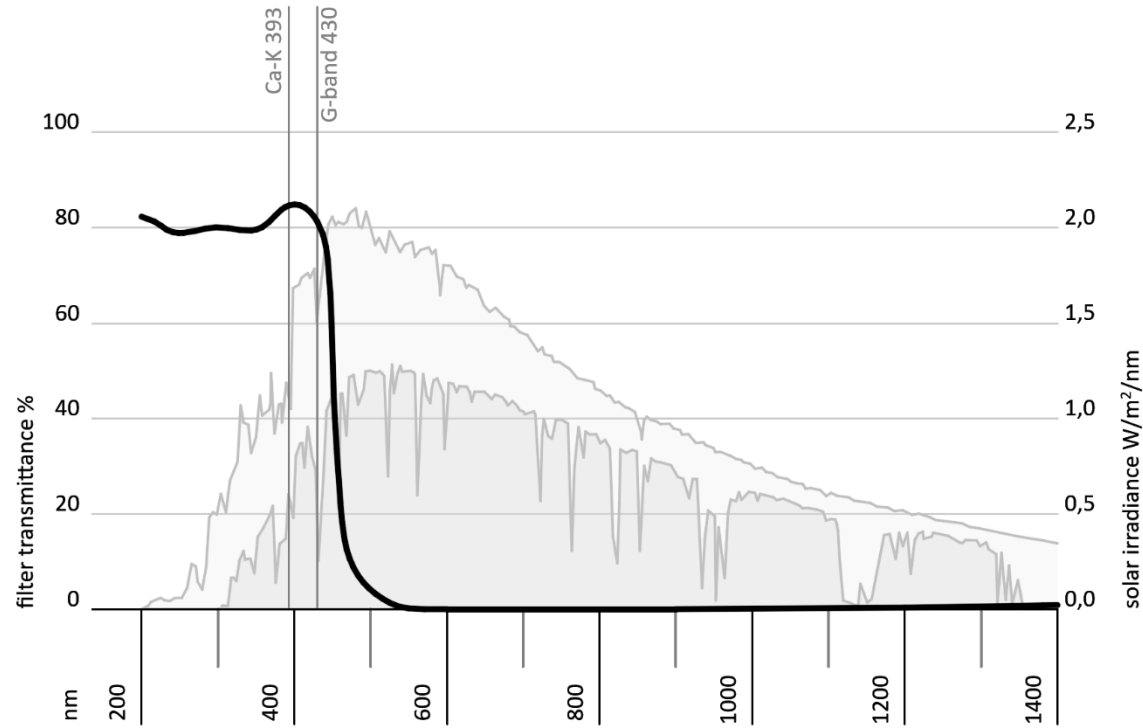
2" to 1,25" compression ring

Connection (to the telescope)	2"
Connector (other end)	1,25"
Optical length	18 mm
Compatibility	optical length is optimised for Powermate barlows
Clamp	with 3 clamping screws
Colour	silver



Soley Instrument Console

Connection points	M4-M5 threaded holes, D4 mm oval holes
Connection (to the telescope)	Vixen dovetail clamp
Dimensions	408x70x5mm
Material	aluminium
Color	silver
Area of application	connection interface for SSM, autoguiding and finder



1,25" 450 nm Soley ERF filter

Area of application	ERF prefilter for G-band and Ca-K observation
Filter type	shortpass filter
Cutoff wavelength	450 nm
Transmission	min 90%
OD (optical density)	OD4/OD5 (1100 nm-250 nm)
Thickness	3mm
Surface flatness	1/10 Lambda
Substrate	fused silica
Mounting	1,25" filter cell

Other accessories

Vixen to Losmandy adapter

length: 20 cm

Softcases

for travel and save storage (114x50 cm)

Expedition hardcases

for air travel and rugged terrains (99x47x34 cm), wheeled